

LA94015
7805 P+

33-16
J2

RO 4003-05

10 GHz 30w

F80V4-05-00

NEC
21011-3
12

NEC
21011-8
01

T
21011-15
61 3

T
21011-15
61 1

IN + 10V

IN + 10V

Out +

R10
50

W21
10

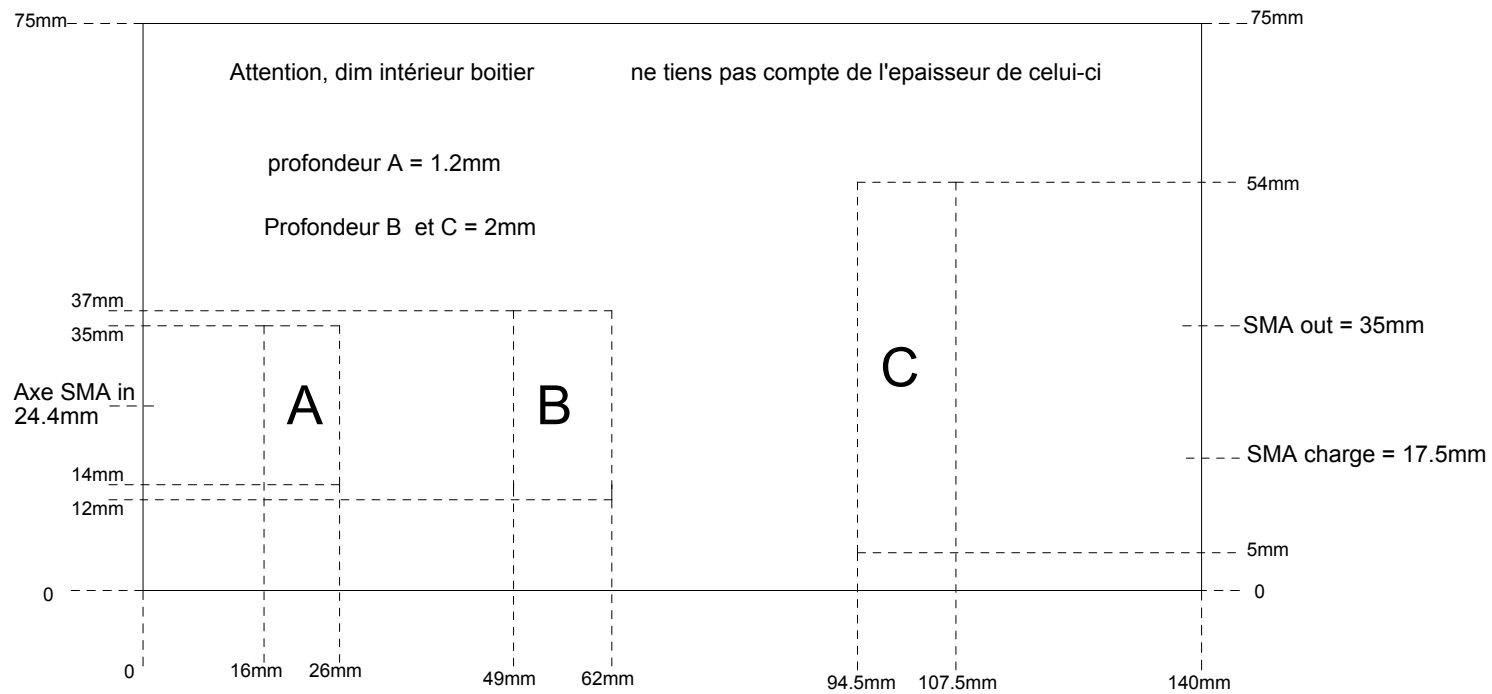
W21
10

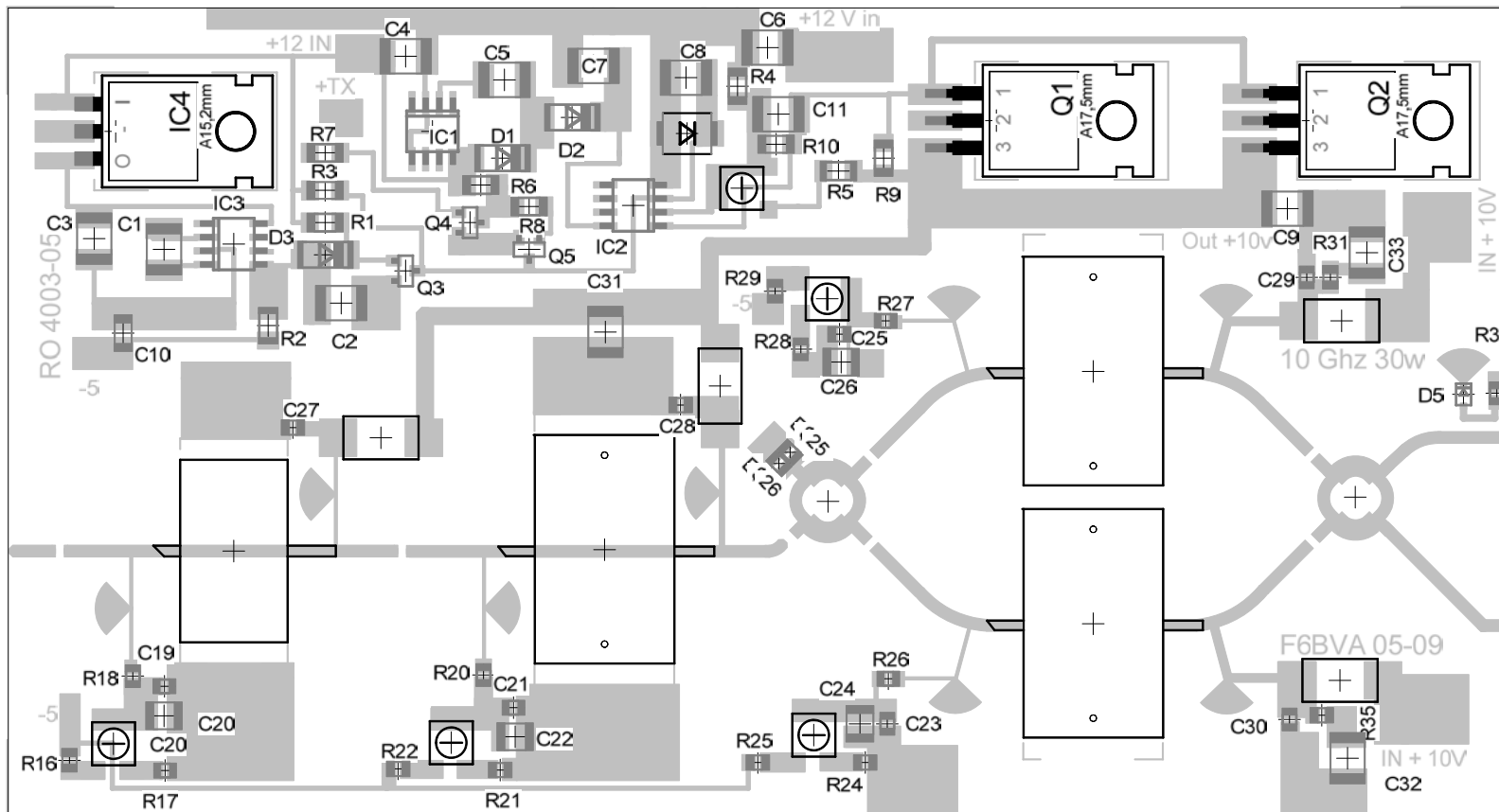
-5

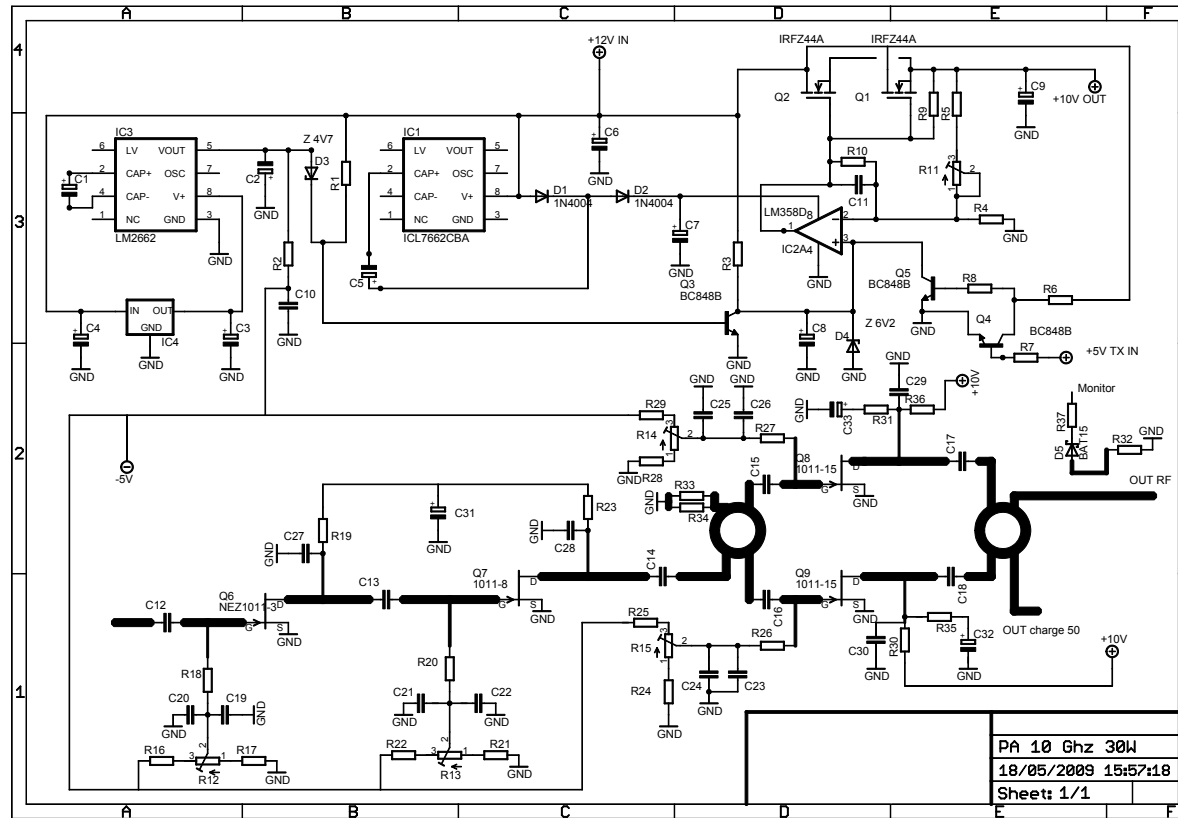
-5

IN + 10V

IN + 10V







PA 3cm, 30 Watts.

Nomenclature.

Position	Valeur	Référence
Q1,Q2	IRFZ44A	
Q3, Q4, Q5	BC848	
Q6	NEZ1011-3	
Q7	1011-8	
Q8,Q9	1011-15	
IC1	ICL7662-SO8	622-8743
IC2	LM358-SO8	858-427
IC3	LM2662-SO8	533-3951
IC4	7805	
D1, D2	1N4004	
D3	Z = 4v7	
D4	Z = 6v2	
D5	BAT15	
R1, R7	4k7	
R2, R21, 24, 28	00 ohms	
R3, R6	1K2	
R4, R8	10K	
R5	6K8	
R9	1K	
R10	47K	
R11	Aju. 2K2	
R12, R13, R14, R15	Aju. 100 ohms	
R16, R17, R22, R25, R29	47 ohms	
R18, R20, R26, R27, R32 R31, R35	47 ohms	
R19	1 ohms/1w	
R23, R30, R36	0.1ohms/2W	
C1, C2	47µf	
C3, C4, C31, C32, C33	4µf7	
C5, C7, C8	10µf	
C6, C9	100µf	
C10	100nf	
C11	1µf	
C12, C13, C14, C15 C16, C17, C18	ATC100A 1pf	
C19, C22, C24, C26	100pf	
C20, C21, C23, C25	10nf	
C27, C28, C29, C30	1nf	