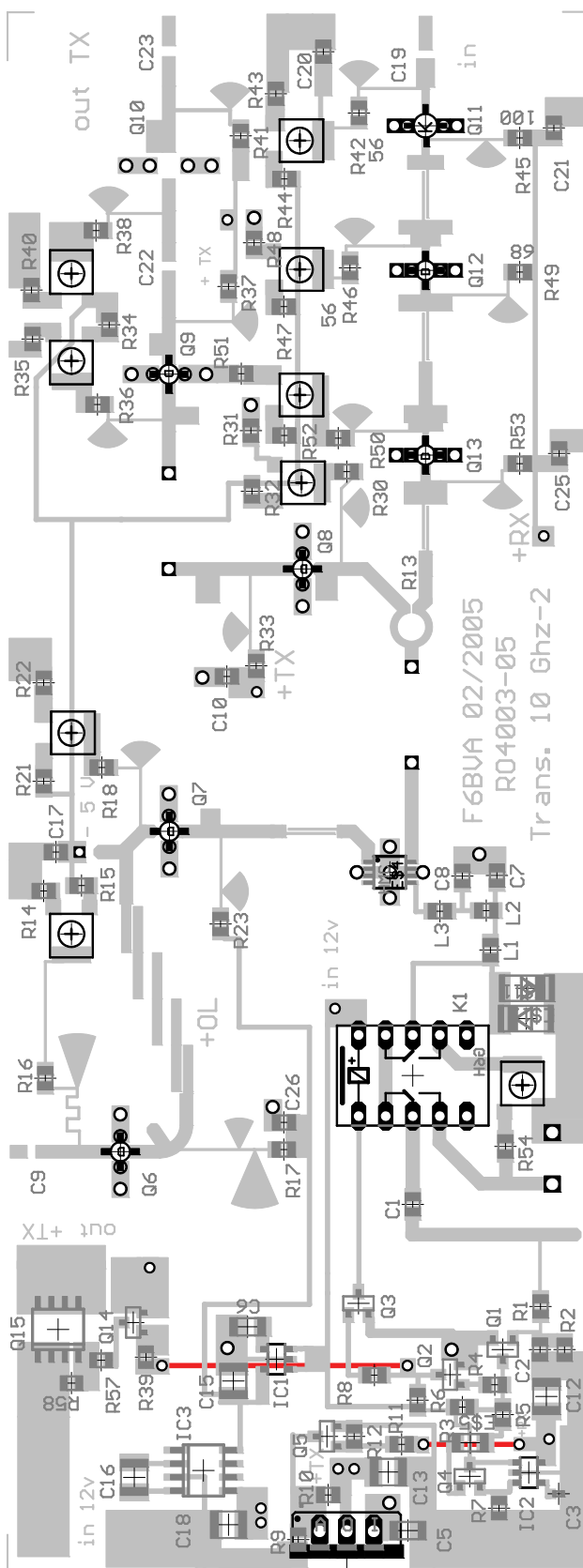
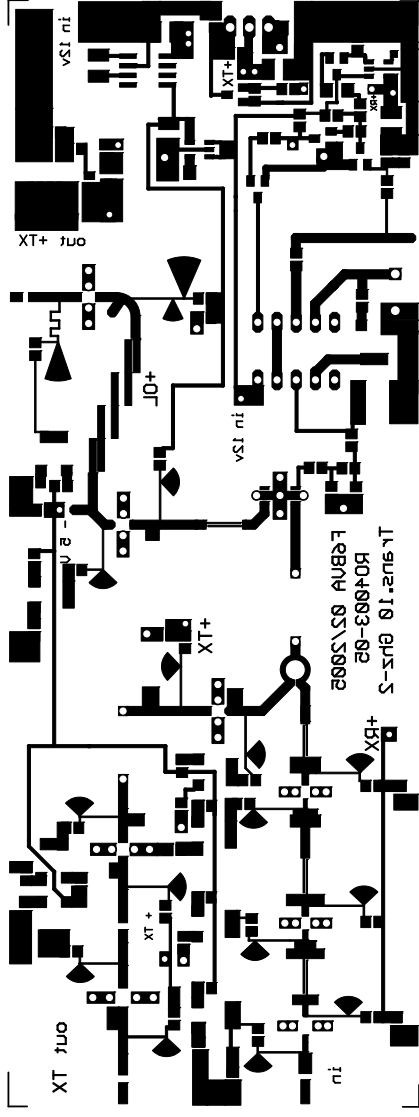


F6BVA 01/2005	
TITLE: trans 3cm-2	
Document Number:	REV:
Date: 26/10/2010 16:14:33	Sheet: 1/1





Transverter 10 Ghz-2

Nomenclature composants.

Position	Valeur	Comment.	Fournisseur	Référence
CI	RO4003	0,5mm	AME	10 135
D1, D2	LL4148			
Filtres				
K1	Relais 2RT		RS	113 8831
IC1	LP2985-5v		RS	349 5710
IC2	LP2985-4v		RS	349 5681
IC3	ICL7660		RS	834 049
IC4	LM317			
Mixer	HMC220	MS8G	AME	10 150
Q1, 2, 3, 4, 5, Q14	BC848			
Q6, 7, 8, 9, 12, 13	NE32584C	Marquage »D »		
Q11	NE321S01	Marquage »K »		
Q10	MGF1801		DC3XY RF electronica	
Q15	STS5PFL30L			
L1, L3	27nh		RS	397 8489
L2	82nh		RS	397 8546
C1	1nf	0805		
C2, C17	4n7	0805		
C3, C4, C5, C6	10n	0805		
C7, C8	27pf	0805		
C9	4pf7	H Q.		
C10, 20, 21, 24, 25, 26	100pf			
C11, 12, 13, 14, 15, 16, 18	4µ7	tentale		
C19, 22, 23	1pf	ATC100A		
R ajust. 19, 20,24, 25, 26, 27, 28, 29	10K	Cms	RS	177 223
R ajust. R55	100ohms	Cms	RS	
R1	3k9	0805		
R2, 12	100k	0805		
R3, R6, R7	1k	0805		
R4, 5, 8, 11, 39	10k	0805		
R9	1k5	0805		
R10	270	0805		
R13	100 ohms	0603		
R14, 22, 31, 35, 48, 52,53	330 ohms	0805		
R15, 21, 32, 34, 44, 47, 52, 58	10k	0805		
R16, 18, 30, 36, 38, 42, 46, 50	47 ohms	0805		
R17, 23	220 ohms	0805		
R40	1k			
R41	15			
R45	220 ohms	0805		
R49, 53	180 ohms	0805		
R54	470 ohms	0805		
R56	50 ohms	De puissance	RS	320 4788
R57	22ohms	0805		