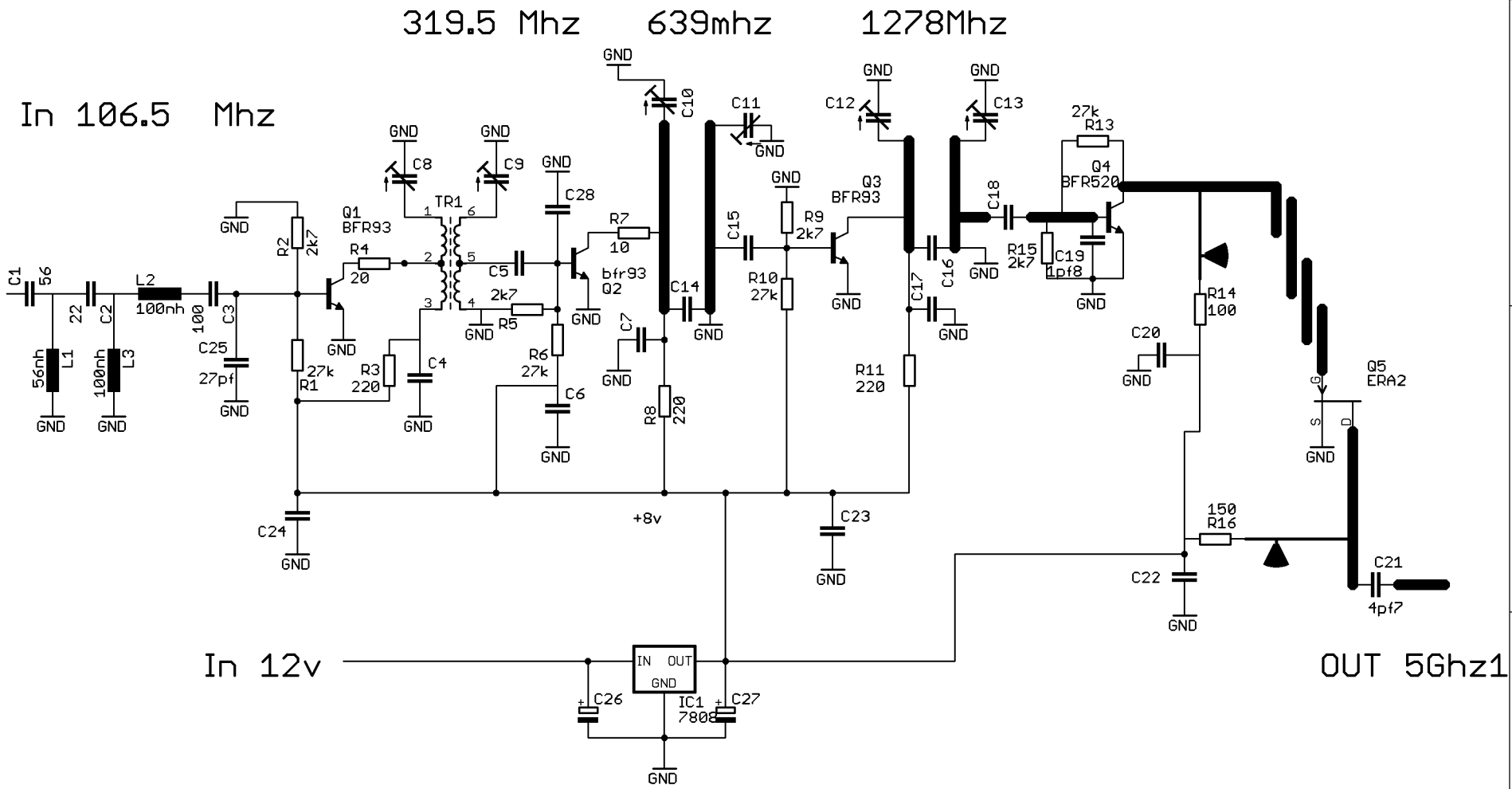


OL 5GHz1 RO4003/BFR520

Nomenclature.

Position	Valeur	Commentaire.
C1	56pf	
C2	22pf	
C3	100pf	
C4, C6	10nf	
C5	3pf9	
C7, C14, C16, C17 C20, C22, C23, C24	1nf	
C8, C9, C10, C11	Ajust8/10pf	
C12, C13	Ajust 4pf	
C15, C18	3pf9	
C19	1pf8	
C26	4.7µf 20v	
C27	4.7µf 16v	
C28	4pf7	.
IC1	7808	
L1	56nh	
L2, L3	100nh	
Q1	BFR92	De préférence ! sinon 93
Q2, Q3	BFR93	
Q4	BFR520	
QR	ERA2	
R1, R6, R10, R13	27k	
R2, R, R9, R15	2k7	
R3, R8, R11	220	
R4	20	
R7	10	
R14	100	
R16	150	
TR1		2X 4 spires sur 3.5 de diam.



Thu 27 Jan 2011 11:08

REF 13.0 dBm
10 dB/
LOF

A_Write B_Blank MKR 5.1135 GHz
10.74 dBm

Detector

Pos i-Nega

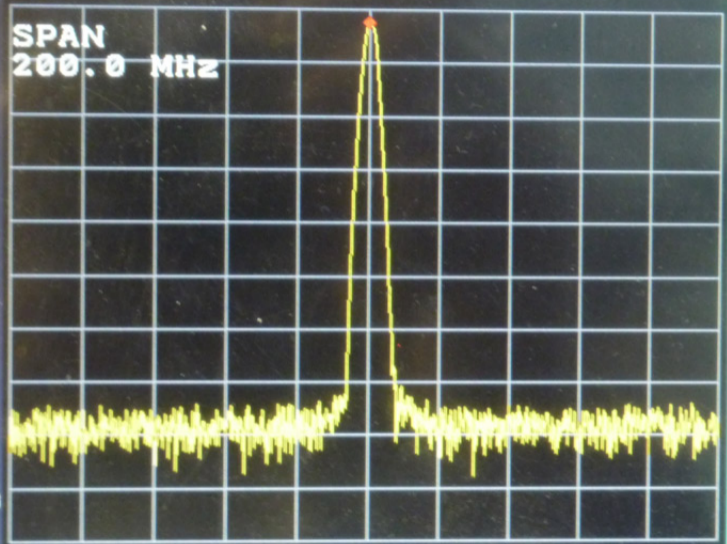
Pos i

Nega

Sample

return

SPAN
200.0 MHz



CENTER 5.1135 GHz SPAN 200.0 MHz
RBW 3 MHz VBW 3 MHz SMP 50 ns ATT 30 dB

Thu 27 Jan 2011 17:56

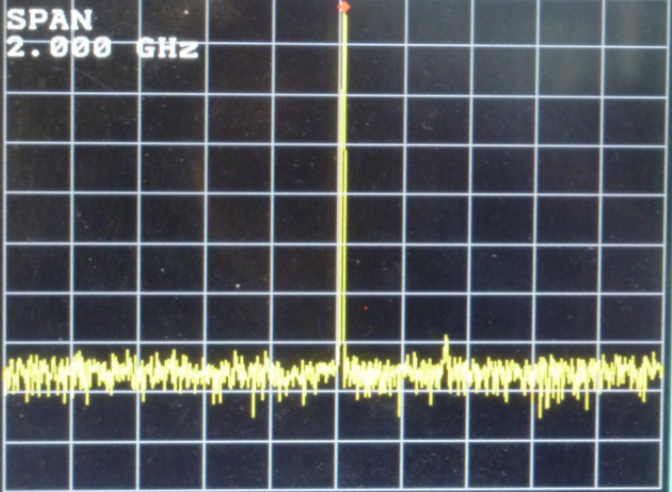
REF 13.0 dBm
10 dB/
LOF

A_Write B_Blank MKR 5.126 GHz
10.63 dBm

Span

Full Span

Zero Span



NEG

CENTER 5.114 GHz SPAN 2.000 GHz
RBW 5 MHz VBW 5 MHz SMP 50 ms ATT 30 dB